

UWO - Rainwater Storage Tank

multiflex

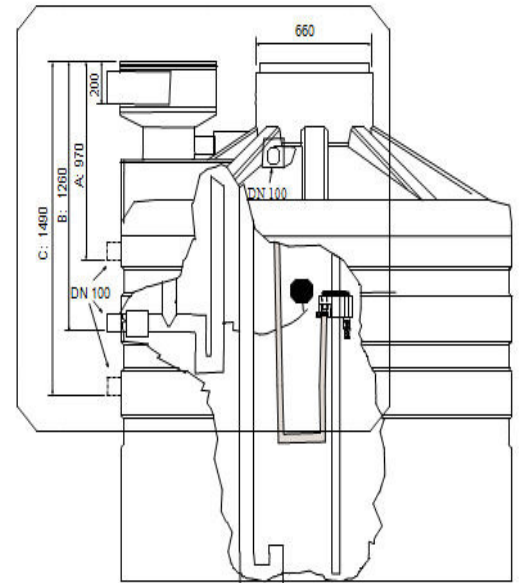
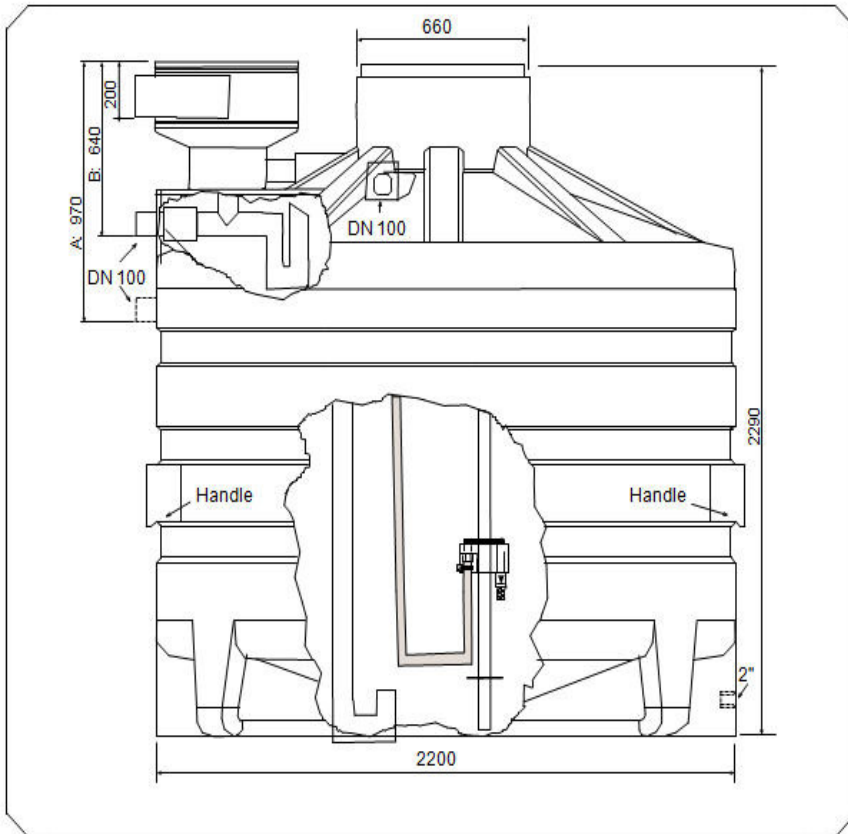


- developed especially for rainwater utilization
- UWO MultiFlex 5,000 or 6,000 litre, monolithic PE tank
- excellent access from large turret diameter with no component removal necessary to enter tank
- pre-installed components ready to install in ground
- all hook-ups are ready-to-plug for inlet, overflow and house connection using 110mm standard pipe work
- multiple tanks can be connected
- internal or external standard or high capacity filter options



UWO - Rainwater Storage Tank

multiflex and multiflex retention



UWO-MultiFlex

rainwater storage including pre-filter and accessories for underground installation for the ability to stand frost. Rainwater utilization used for saving drinking water

Technical Facts

contents	A:	5,000 litre
	B:	6,000 litre
weight		ca. 280 kg
diameter		max. 2.20 m
height		2.29 m
material		polyethylene (PE)

UWO-MultiFlex-Retention System

storm water storage, including pre-filter and accessories for frost free underground installation. Storm water is released to ground or soak away at a controlled discharge rate

Technical facts

contents	A:	5,000/1,000 litre
	B:	4,000/2,000 litre
	C:	3,000/3,000 litre
weight		ca. 290 kg
diameter		max. 2.20 m
height		2.29 m
material		polyethylene (PE)
throttled drain		0.5 to 2.0 litre/minute

Accessories

- Shafts
 - DS 15: height 15 cm
 - DS 40: height 40 cm
 - diameter 63 cm
- TeleFlex 50 - 90 cm variable shaft with cover

Applications

- for rainwater utilization in
- households
 - large scale units

Usage for

- flushing toilets
- laundry
- watering/irrigation
- cleaning purposes

Application advantages

- pre-installed internal components
- permanently waterproof non-degrading construction
- permanently recyclable
- vehicular movement up to 5.0t with simple structural measures
- can be joined with additional tank

UWO-MultiFlex-Retention

- Rainwater retention during heavy rain periods

Functional Description

UWO-MultiFlex was especially developed and manufactured for rainwater harvesting.

UWO-MultiFlex is a complete unit with tried and tested UWO-products (Pre-filter NOVA, inlet calming, variable suction pipe, siphon, back pressure safety device and small bug protection filter)

Installation is made easy due to modular construction and a ready-to-plug system. The shape of the tank plays a considerable role for purification of water. Water surface area is not reduced with rising fill level due to the parallel sides of the tank and enhance the skimmer effect

Impact: All impurities in floating film of rainwater surface are washed out in a better way during overflow of tanks via overflow device. This is called the **skimmer effect**

- pre-installed internal components
- all hook-ups are ready-to-plug for inlet, overflow and house connection using 110mm standard pipe work
- parallel tank diameter for skimmer effect - filtering out floating impurities at overflow
- Internal or external filter options